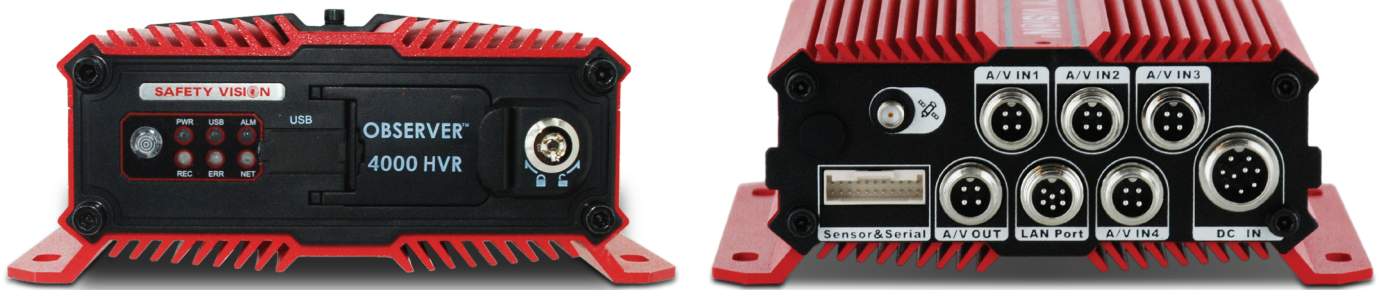


OBSERVER™ 4000 HVR

5-CHANNEL HYBRID VIDEO RECORDER



Equipped with HD video recording, Safety Vision's Observer 4000 HVR delivers crystal clear accuracy for quality that matters. Recommended for solutions up to 5 cameras, the Observer 4000 HVR is our most economical system, offering a cost-effective approach to high definition recording. Custom triggered sensors mark video and record vehicle data, while passive GPS tracking records vehicle route history synchronized with video. The Observer 4000 HVR is built tough for extreme durability on the road, giving you the ultimate in budget flexibility with the system reliability you deserve.

OS SUPPORT

Linux 3.0.8

CAMERA CHANNELS

4 channels (HD or Std Res) + 1 IP

VIDEO / AUDIO OUTPUT

1 channel

QUALITY SETTINGS

Adjustable 8 levels

RECORDING RESOLUTION

NTSC: 4 × 720p @ 15fps + 1 × IP 1080p @ 30 fps

or

4 × D1 @ 30fps + 1 × IP 1080p @ 30 fps

PAL: 4 × 720p @ 15fps + 1 × IP 1080p @ 30 fps

or

4 × D1 @ 30fps + 1 × IP 1080p @ 30 fps

STORAGE

2 × SD card (256 GB each, 512 GB total)

Mirror Recording: 1 × SD card up to 256 GB max (optional)

RECORDING MODES

Continuous / scheduled / alarm

PRE-EVENT RECORDING

Configurable up to 60 minutes

POST-EVENT RECORDING

Configurable up to 30 minutes

ETHERNET

6-pin M12 (1 × 10/100M)

WI-FI

External radio required

GPS (BUILT-IN)

Antenna required (date / time, speed, mapping data)

ACCELEROMETER

6-Axis (external)

INTERFACES

Front: 1 × USB 2.0 (type A)

Back: 2 × RS232, 2 × RS485

SENSORS

8 inputs, 2 outputs

POWER INPUT

8 ~ 36V DC, ACC

POWER OUTPUT

8 ~ 36V DC, ACC

POWER CONSUMPTION

29W (~0W in standby)

OPERATING TEMPERATURE

-40° F ~ 158° F (-40° C ~ 70° C)

DIMENSIONS (W × H × D)

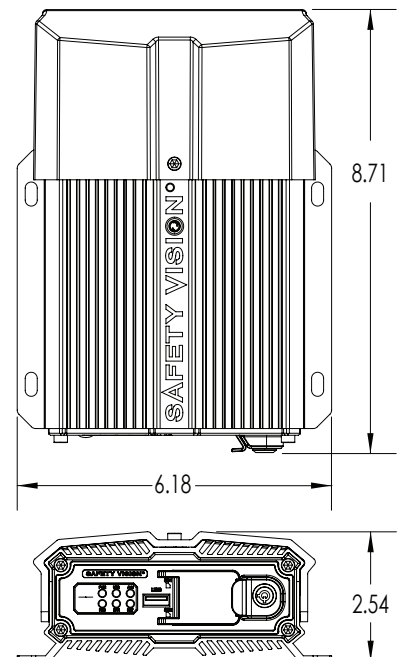
6.18 × 2.51 × 8.76 in (157 × 63.7 × 222.5 mm)

CERTIFICATIONS

MIL-STD-810, FCC, CE, EN50155, EN60068, IEC60068

PART NUMBER

4000-HVR



POWER CONSUMPTION IN STANDBY MODE*

INPUT (IN VOLTS)	CURRENT (IN MILLIAMPS)	POWER CONSUMPTION (IN WATTS)
8.5V	52mA	0.442W
12V	48.3mA	0.5796W
13.5V	45.6mA	0.6156W
27V	51.9mA	1.4013W
36V	52.2mA	1.8792W

*Estimated average values above are HVR in 'Standby' mode (post shutdown timer and after ignition sources are off). Values above were recorded in a clean environment, exact values may vary slightly per environment.

6100 W. Sam Houston Pkwy. N.
Houston, TX 77041

SAFETY VISION®

800.880.8855
www.safetyvision.com