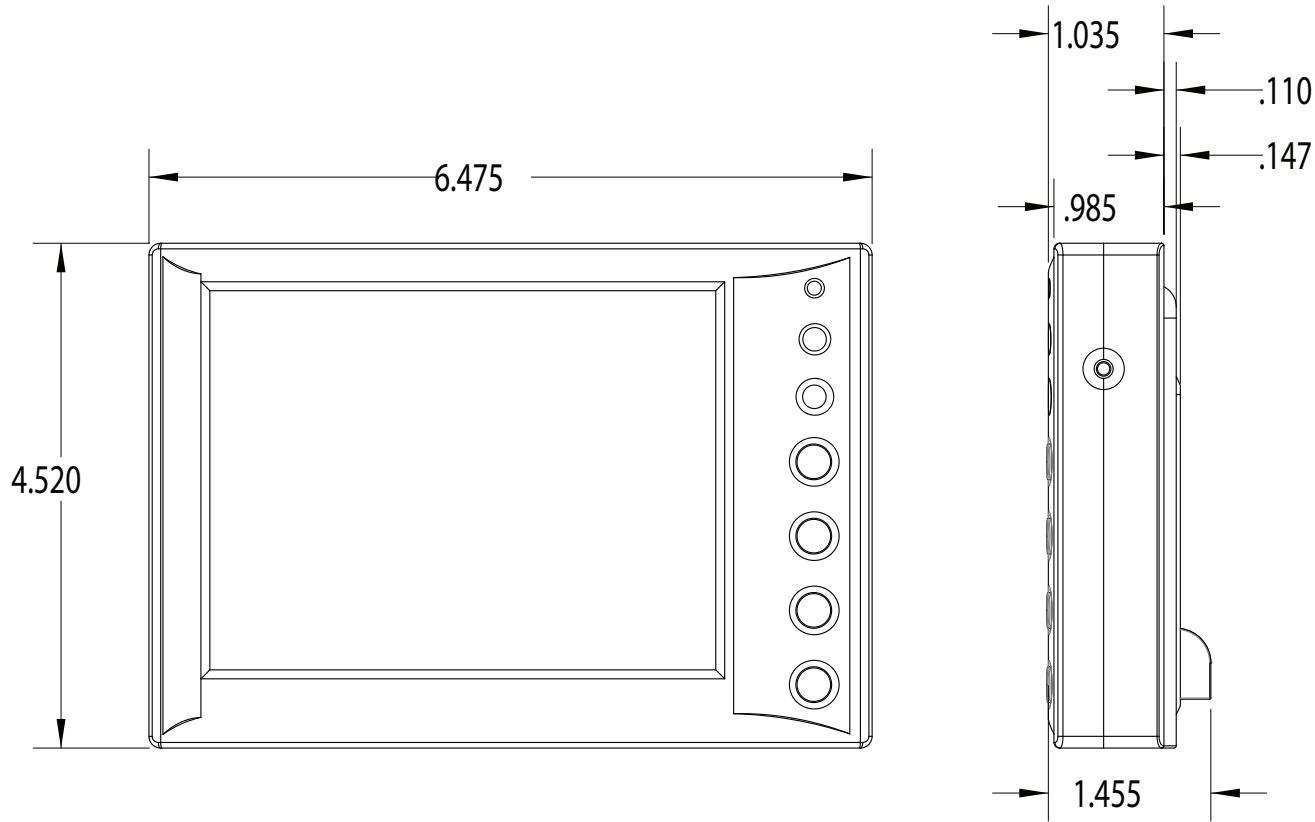


**NOTES:**

1. DRAWING IS NOT TO SCALE



PROPRIETARY AND CONFIDENTIAL  
 THE INFORMATION CONTAINED IN THIS DRAWING  
 IS THE SOLE PROPERTY OF SAFETY VISION. ANY  
 REPRODUCTION IN PART OR AS A WHOLE WITHOUT  
 THE WRITTEN PERMISSION OF SAFETY VISION IS  
 PROHIBITED.

UNLESS OTHERWISE SPECIFIED:

DIMENSIONS ARE IN INCHES  
 TOLERANCES:  
 FRACTIONAL ±  
 ANGULAR: MACH ± BEND ±  
 TWO PLACE DECIMAL ±  
 THREE PLACE DECIMAL ±

INTERPRET GEOMETRIC  
 TOLERANCING PER:

MATERIAL

FINISH

DO NOT SCALE DRAWING

	NAME	DATE
DRAWN	JG	8/27/14
CHECKED		
ENG APPR.		
MFG APPR.		
Q.A.		



TITLE:  
**5.6 INCH  
 LCD MONITOR**

SIZE	PART NO.	REV
<b>A</b>	<b>SV-LCD56BA</b>	<b>A</b>
SCALE: X:X	WEIGHT:	SHEET 1 OF 1