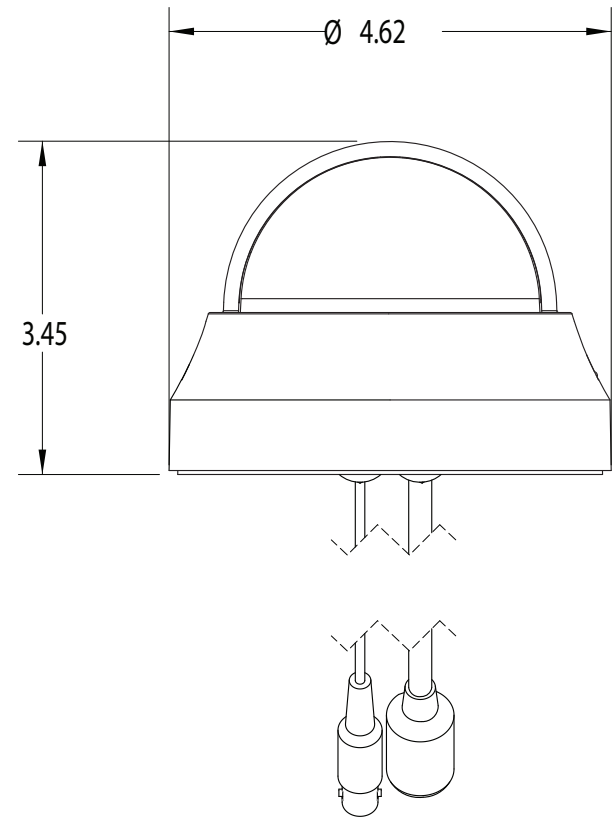
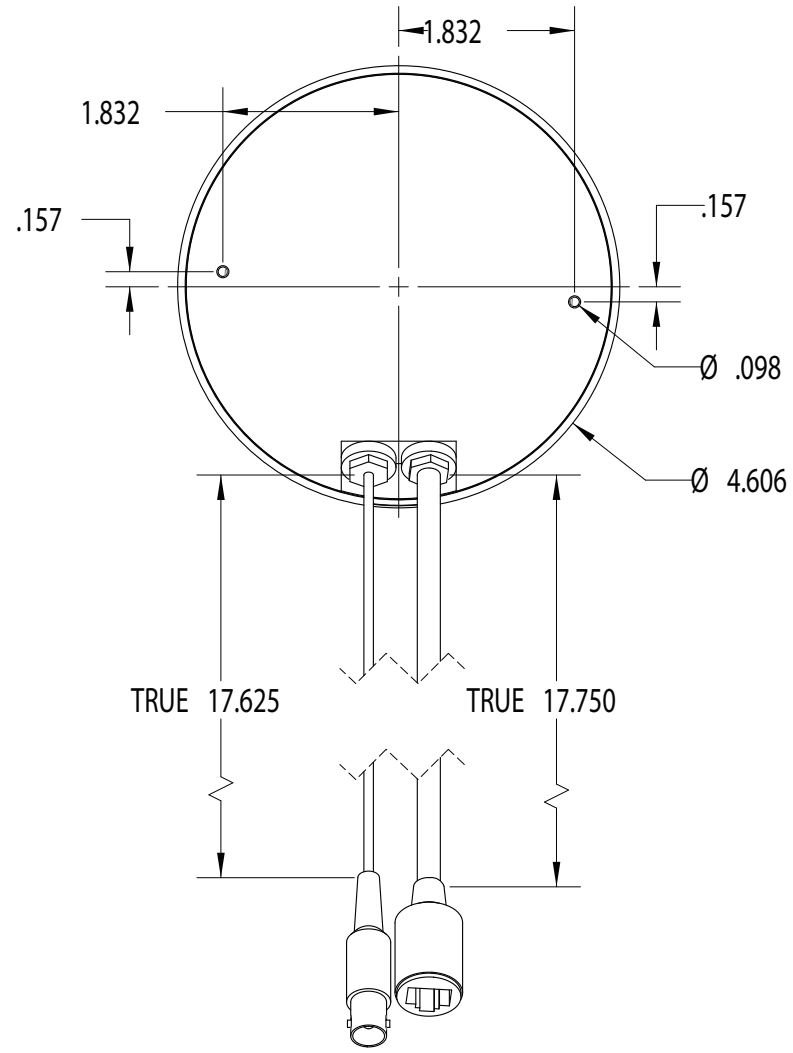


PROPRIETARY AND CONFIDENTIAL
 THE INFORMATION CONTAINED IN THIS DRAWING
 IS THE SOLE PROPERTY OF SAFETY VISION. ANY
 REPRODUCTION IN PART OR AS A WHOLE WITHOUT
 THE WRITTEN PERMISSION OF SAFETY VISION IS
 PROHIBITED.

UNLESS OTHERWISE SPECIFIED:		NAME	DATE	TITLE: GEN3 INTERIOR IP CAMERA
DIMENSIONS ARE IN INCHES		JG	3/30/15	
TOLERANCES:				
FRACTIONAL ±				
ANGULAR: MACH ± BEND ±				SIZE PART NO. A 60-220003
TWO PLACE DECIMAL ±				
THREE PLACE DECIMAL ±				
INTERPRET GEOMETRIC TOLERANCING PER:		Q.A.		REV A
MATERIAL				
FINISH		SAFETY VISION®		SCALE: 1:2 WEIGHT: SHEET 1 OF 1
DO NOT SCALE				



PROPRIETARY AND CONFIDENTIAL
 THE INFORMATION CONTAINED IN THIS DRAWING
 IS THE SOLE PROPERTY OF SAFETY VISION. ANY
 REPRODUCTION IN PART OR AS A WHOLE WITHOUT
 THE WRITTEN PERMISSION OF SAFETY VISION IS
 PROHIBITED.

UNLESS OTHERWISE SPECIFIED:		NAME	DATE	TITLE: GEN3 EXTERIOR IP CAMERA	
DIMENSIONS ARE IN INCHES		DRAWN	JG		3/30/15
TOLERANCES:		CHECKED			
FRACTIONAL ±		ENG APPR.			
ANGULAR: MACH ±		BEND ±	MFG APPR.		
TWO PLACE DECIMAL ±			Q.A.		
THREE PLACE DECIMAL ±					
INTERPRET GEOMETRIC TOLERANCING PER:		SAFETY VISION ®		SIZE	
MATERIAL				PART NO.	
FINISH				REV	
DO NOT SCALE		SCALE: NTS		WEIGHT:	
		SHEET 1 OF 1			