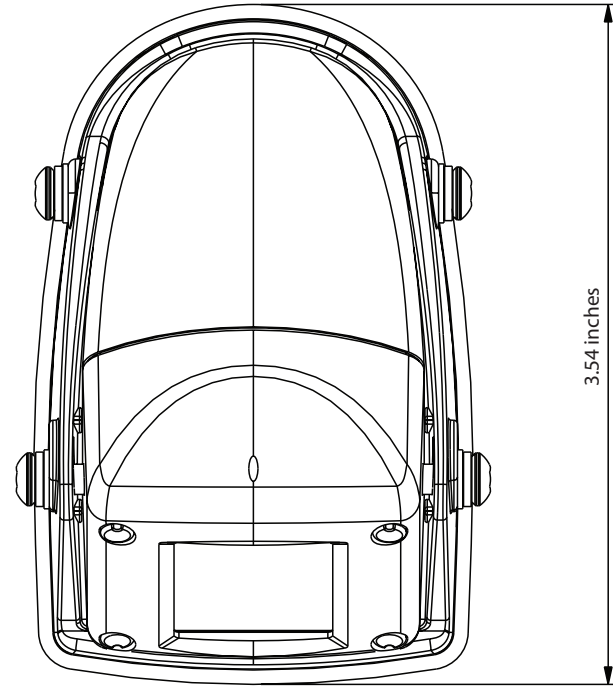
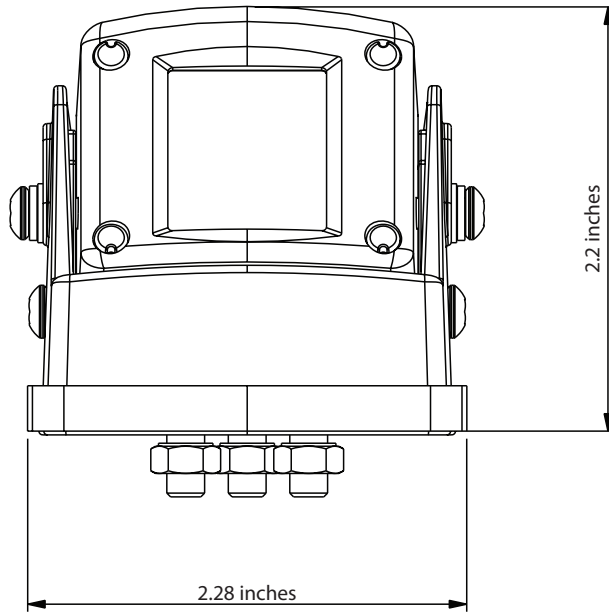


NOTES:

- 1. DRAWING IS NOT TO SCALE



PROPRIETARY AND CONFIDENTIAL
 THE INFORMATION CONTAINED IN THIS DRAWING
 IS THE SOLE PROPERTY OF SAFETY VISION. ANY
 REPRODUCTION IN PART OR AS A WHOLE WITHOUT
 THE WRITTEN PERMISSION OF SAFETY VISION IS
 PROHIBITED.

UNLESS OTHERWISE SPECIFIED:
 DIMENSIONS ARE IN INCHES
 TOLERANCES:
 FRACTIONAL ±
 ANGULAR: MACH ± BEND ±
 TWO PLACE DECIMAL ±
 THREE PLACE DECIMAL ±
 INTERPRET GEOMETRIC
 TOLERANCING PER:
 MATERIAL
 FINISH
 DO NOT SCALE DRAWING

NAME	DATE
DRAWN JG	4/14/14
CHECKED	
ENG APPR.	
MFG APPR.	
Q.A.	

SAFETY VISION®

TITLE: SV-622 camera		
SIZE A	PART NO. SV-622LS/RS	REV A
SCALE: X:X	WEIGHT:	SHEET 1 OF 1