

622 EXTERIOR SIDEVIEW CAMERAS



Left and Right sideview cameras

The 622 sideview color cameras were designed to be aerodynamic, offering a rugged aluminum enclosure for exterior installations. Available in both left and right side-mount models, the 622 is a purpose-built, ruggedized camera with an IP69K rating that ensures the 622 can withstand the elements.

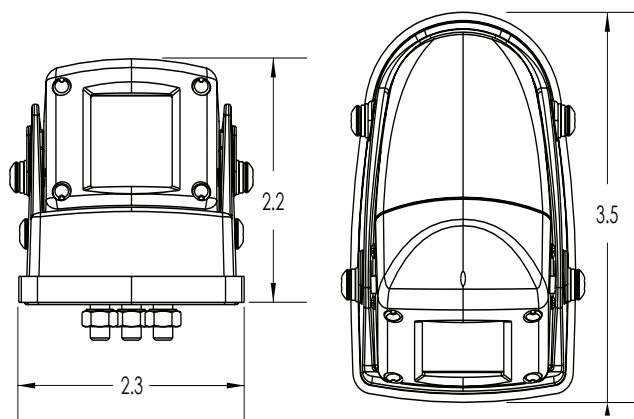
SPECIFICATIONS

PART NO. SV-622LS (Left) and SV-622RS (Right)

Image Sensor	¼ inch interline transfer CCD
Resolution	854 × 480
Picture Element	410,000 pixels (NTSC) / 470,000 pixels (PAL)
TV Lines	480 TV lines (NTSC) / 530 TV Lines (PAL)
Field of View	Diagonal - 120° / Horizontal - 96° / Vertical - 72°
Focal Length	2.5 mm
Synchronization	Internal
Infrared Illuminators	4
Minimum Illumination	0 lux (IRs on)
Audio	Yes; integrated microphone
Signal-to-Noise Ratio	>50 dB minimum (AGC off)
Vibration	7G
Impact Rating	100G
IP Rating	IP69K
Power Requirement	12V DC
Power Consumption	3W
Operating Temperature	-22° F to approx. 176° F (-30° C to approx. 80° C)
Dimensions (w × h × d)	2.3 in × 2.2 in × 3.5 in (58 mm 56 mm 89 mm)
Weight	.55 lb (.25 kg)
Certifications	MIL-SPEC 810

Features

- Wide field of view captures a range of activity
- Wide-ranging operating temperature
- Adjustable pan/tilt installation
- Integrated microphone
- Automatic sensors allow for optimum image quality in low light conditions



Please discuss our installation, training, extended warranty, and onsite service options with your mobile video solutions specialist!