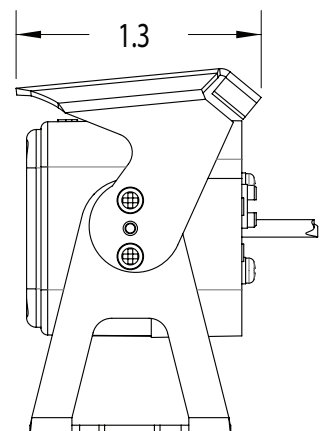
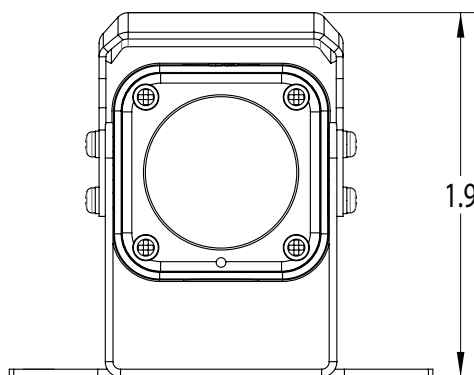
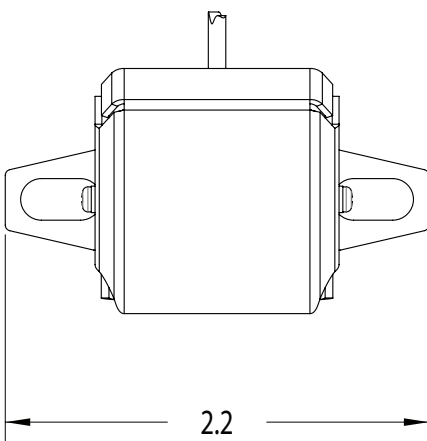


# 660H COLLISION AVOIDANCE CAMERA

The 660H camera utilizes an incredibly small housing that allows it to be mounted anywhere on the exterior or interior of a vehicle. An IP69K protection rating ensures the 660H can stand up to the harshest environments and the strongest vibrations. The advanced CMOS image sensor captures an extra-wide field of view and a built-in microphone captures audio.



| SPECIFICATIONS         |   |
|------------------------|---|
| Part No. SV-660H-KIT   |   |
| Image Sensor           | 1/4 inch color CMOS                                     |
| Signal Format          | NTSC  |
| Resolution             | 648(h) × 488(v)   |
| Horizontal TV Lines    | 330 TV Lines  |
| Field of View          | 140°  |
| Mirror Image           | Yes   |
| Infrared Illuminators  | 5   |
| Minimum Illumination   | 2 Lux   |
| Audio                  | Yes; integrated microphone                              |
| Vibration              | 10G   |
| IP Rating              | IP69K   |
| Power Requirement      | 12V DC  |
| Operating Temperature  | -40°F ~ 185°F (-40°C ~ 85°C)                            |
| Storage Temperature    | -40°F ~ 185°F (-40°C ~ 85°C)                            |
| Dimensions (w × h × d) | 2.2 in × 1.9 in × 1.3 in<br>(55.9 mm × 48.3 mm × 33 mm) |



*Shown at actual size*

Please discuss our installation, training, extended warranty, spare-in-the-air, and onsite service options with your mobile video solutions specialist!