

DUALCAM™ INTERIOR SURVEILLANCE CAMERAS



SPECIFICATIONS

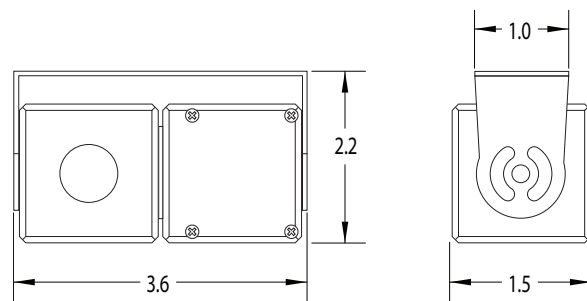
PART NO. SV-DUALCAM

	IR Camera	Camera
Image Sensor	1/3" Color Sony® SuperHAD II CCD	
Video System	NTSC	
Resolution	976 (H) × 494 (V)	
TV Lines	700	
Field of View	2.8 mm: 86° Horiz. 64° Vert. 114° Dia. 3.6 mm: 74° 52° 94° 6.0 mm: 45° 35° 60°	
IR	10 LEDs	N/A
IR Range	10m N/A	N/A
Minimum Illumination	0 Lux (IR on)	0.03 Lux at F1.2
Video Output	2 × 1.0 Vp-p composite video output, 75Ω, 4 way din connector	
Audio Input	4 way din jack	N/A
Scan System	625 TVL / 2:1 Interlace	
Signal-to-Noise Ratio	More than 50 dB (Auto Gain off)	
White Balance	Auto	
Auto Gain Control	Auto	
Back Light Compensation	Auto	
Adjustable Range	0-355° (H), 0-90° (V)	
Lens Size	F3.6mm Standard Lens	
Power Supply	12V DC ±10%	
Operating Temperature	-10°C to approx 50°C (14°F to approx 122°F)	
Dimensions (L × W × H)	3.9 in. × 1.5 in. × 2.2 in.	
Weight	0.53 lb	

The DualCam combines a windshield camera with a cabin camera in a single robust, compact package. The forward-facing camera captures road conditions and important events in front of the vehicle. The cabin camera, typically facing the driver, includes IR illuminators for clarity in low light conditions as well as an integrated microphone to capture interior audio. Two separate camera outputs allow the DualCam to be combined with any Safety Vision video recorder, providing an effective mobile recording solution for any vehicle application.

Features

- Single camera mount and cable provides easy installation options in tight interior spaces
- Cable splits into two separate outputs for each camera
- Each camera individually adjustable for optimal field of view
- Mirror image available (factory option)
- Black, non-glare finish



Please discuss our installation, training, extended warranty, spare-in-the-air, and onsite service options with your mobile video solutions specialist!