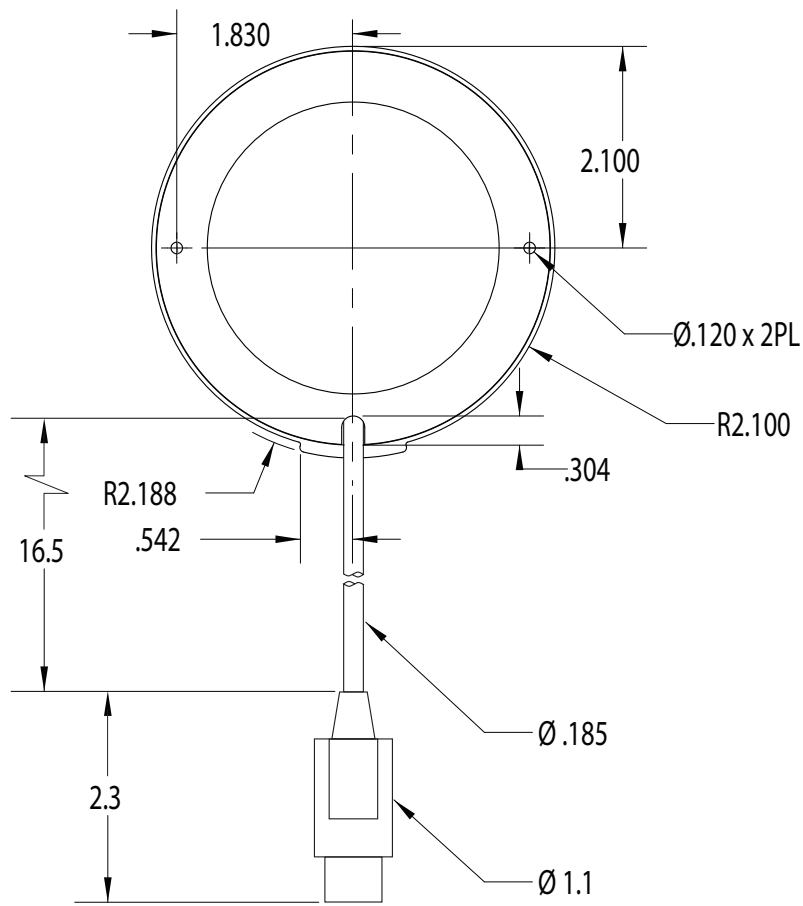
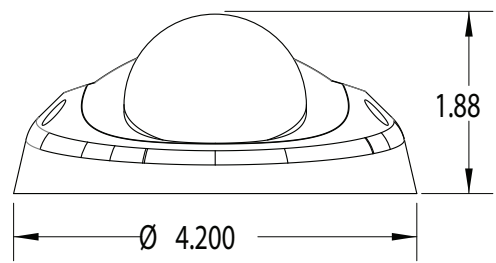


REV A	4/28/15	RELEASE
REV B	4/29/15	FIXED CONNECTER DIMENSION (A5)



PROPRIETARY AND CONFIDENTIAL  
 THE INFORMATION CONTAINED IN THIS DRAWING  
 IS THE SOLE PROPERTY OF SAFETY VISION. ANY  
 REPRODUCTION IN PART OR AS A WHOLE WITHOUT  
 THE WRITTEN PERMISSION OF SAFETY VISION IS  
 PROHIBITED.

UNLESS OTHERWISE SPECIFIED:	NAME	DATE	TITLE:	
DIMENSIONS ARE IN INCHES	JG	4/28/15	60-200003	
TOLERANCES:	CHECKED		IP CAMERA	
FRACTIONAL $\pm$	ENG APPR.		SIZE	PART NO.
ANGULAR: MACH $\pm$	MFG APPR.		A	60-200003
TWO PLACE DECIMAL $\pm$	Q.A.		SCALE: 1:2	WEIGHT:
THREE PLACE DECIMAL $\pm$				SHEET 1 OF 1
INTERPRET GEOMETRIC TOLERANCING PER:	SAFETY VISION®		REV	B
MATERIAL				
FINISH				
DO NOT SCALE				