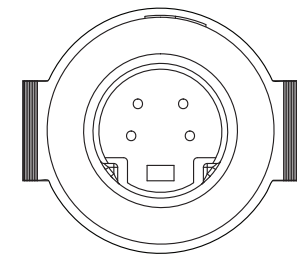
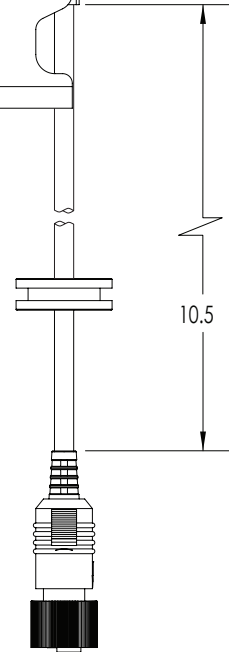
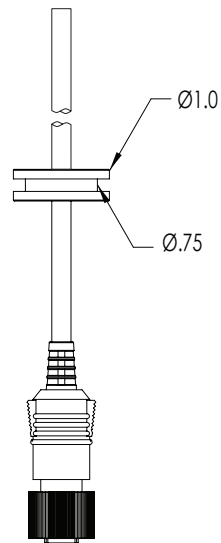
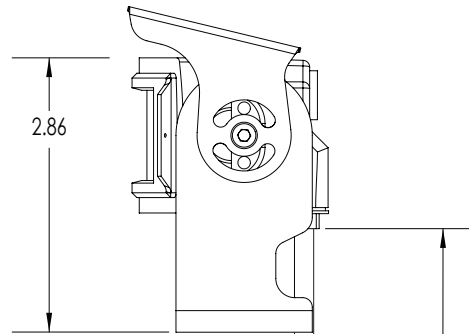
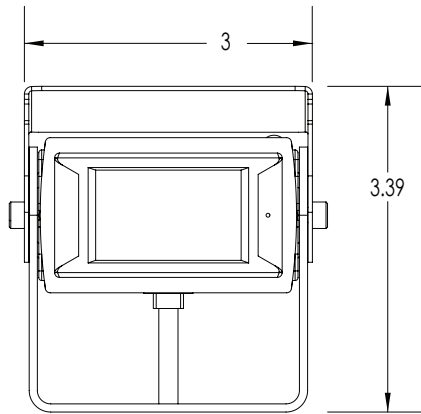


REV A	7/18/19	RELEASE
REV B	12/19/20	CHNG CABLE LENGTH (B2)



SECTION A-A
PIN FACING
THREADED MINI-DIN - MALE



UNLESS OTHERWISE SPECIFIED:

DIMENSIONS ARE IN INCHES

TOLERANCES:
X ±.1
XX ±.02
XXX ±.010
HOLE DIA'S ±.004

INTERPRET GEOMETRIC TOLERANCING PER:

MATERIAL XXX

FINISH XXX

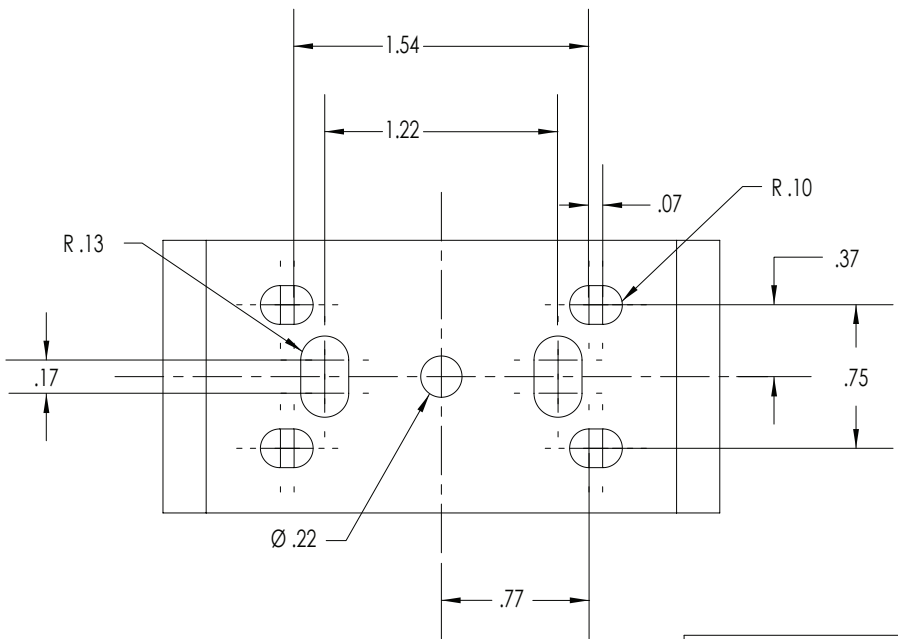
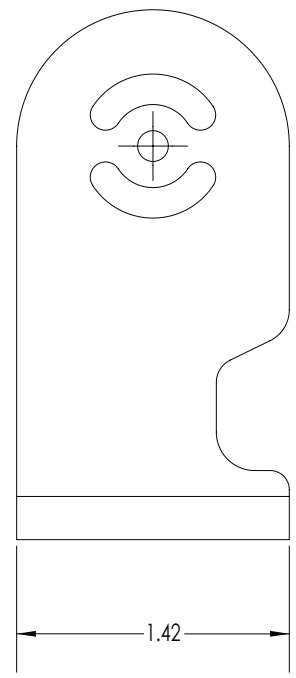
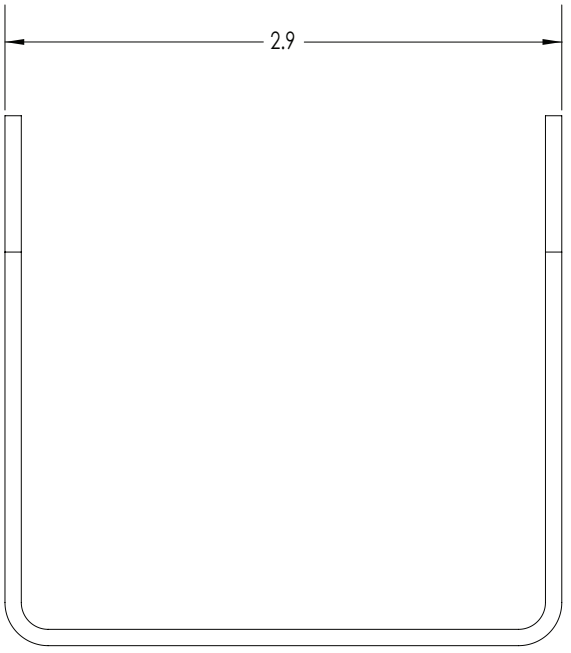
DO NOT SCALE

PROPRIETARY AND CONFIDENTIAL
THE INFORMATION CONTAINED IN THIS DRAWING IS THE SOLE PROPERTY OF SAFETY VISION. ANY REPRODUCTION IN PART OR AS A WHOLE WITHOUT THE WRITTEN PERMISSION OF SAFETY VISION IS PROHIBITED.

	NAME	DATE
DRAWN	JG	7/18/19
CHECKED		
ENG APPR.		
MFG APPR.		
Q.A.		



TITLE: 3MM COLOR CAMERA		
SIZE A	PART NO. SV-630xx-KIT	REV B
SCALE: 1:2	WEIGHT:	SHEET 1 OF 2



PROPRIETARY AND CONFIDENTIAL
THE INFORMATION CONTAINED IN THIS DRAWING
IS THE SOLE PROPERTY OF SAFETY VISION. ANY
REPRODUCTION IN PART OR AS A WHOLE WITHOUT
THE WRITTEN PERMISSION OF SAFETY VISION IS
PROHIBITED.

UNLESS OTHERWISE SPECIFIED:		NAME	DATE	TITLE: SV-630XX-KIT MOUNTING BRKT	
DIMENSIONS ARE IN INCHES		DRAWN	JG		7/18/19
TOLERANCES:		CHECKED			
.X ±.1		ENG APPR.			
.XX ±.02		MFG APPR.			
.XXX ±.010		Q.A.			
HOLE DIA'S ±.004					
INTERPRET GEOMETRIC TOLERANCING PER:		SIZE PART NO. REV A SV-630xx-KIT B			
MATERIAL XXX		SCALE: 1:1 WEIGHT: SHEET 2 OF 2			
FINISH XXX					
DO NOT SCALE					