

IR THERMOMETER

GEN 2 IR THERMOMETER



The Safety Vision Gen 2 IR Thermometer provides a contact-free temperature check for passengers as they board the bus. With just a quick scan of the forehead, temperature readings are displayed on the LCD screen with audio alerts to notify if temperatures are within range. Each school district or transit authority will have their own internal policies and procedures to follow when individuals test for a high temperature. This small device easily mounts in the bus and can also be used in a fixed application such as an office, school, and other buildings as well.

PART NUMBER

SV-IR-TEMP

TEMPERATURE MEASUREMENT SPEED

Less than 1 second

TEMPERATURE MEASUREMENT ACCURACY

$\pm 0.2^{\circ}$ (place in the operating environment for 30 minutes before use)

TEMPERATURE MEASUREMENT DISTANCE

1.97 ~ 11.8 in (50 ~ 300 mm)

DISPLAY

LCD display

RESPONSE TIME

0.5s

ALARM MODE

Flashing LED's and audible alarm for ~10S

POWER INPUT

5V DC, 500mA

STANDBY

30 seconds automatic standby during non-working times

MEASURING RANGE

0° F ~ 122° F (0° C ~ 50° C)

OPERATING TEMPERATURE

-14° F ~ 104° F (-10° C ~ 40° C)

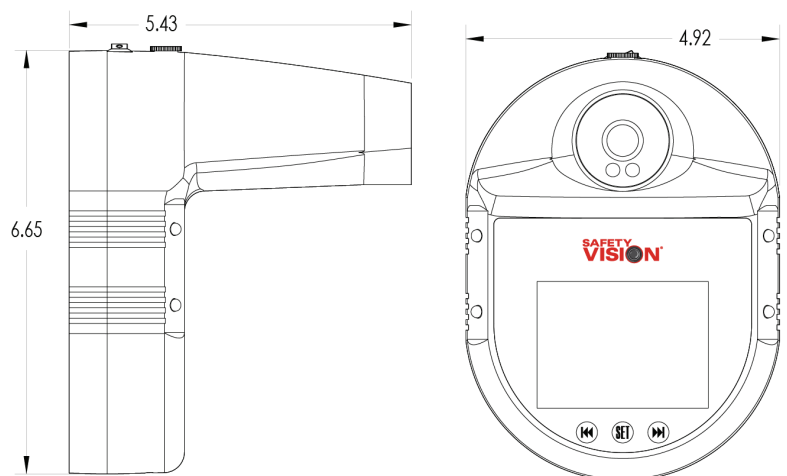
(recommended 59° F ~ 95° F (15° C ~ 35° C))

DIMENSIONS (W x H x D)

4.92 x 6.65 x 5.43 in (125 x 169 x 138 mm)

CERTIFICATIONS

CE, FCC, ROHS



6100 W. Sam Houston Pkwy. N.
Houston, TX 77041

**SAFETY
VISION®**

800.880.8855
www.safetyvision.com